

# Flanged Brick Vents

Brick Vent • 1½" Deep • 45° Straight Blades • Stationary • Flange Frame • Extruded Aluminum

## STANDARD CONSTRUCTION

- FRAME:** .125" thick (nominal) extruded aluminum.
- BLADE:** .125" thick (nominal) extruded aluminum.
- SCREEN:** ¼ Mesh, .011" dia. aluminum wire, insect screen.
- FINISH:** Clear anodized finish is standard.

## OPTIONS

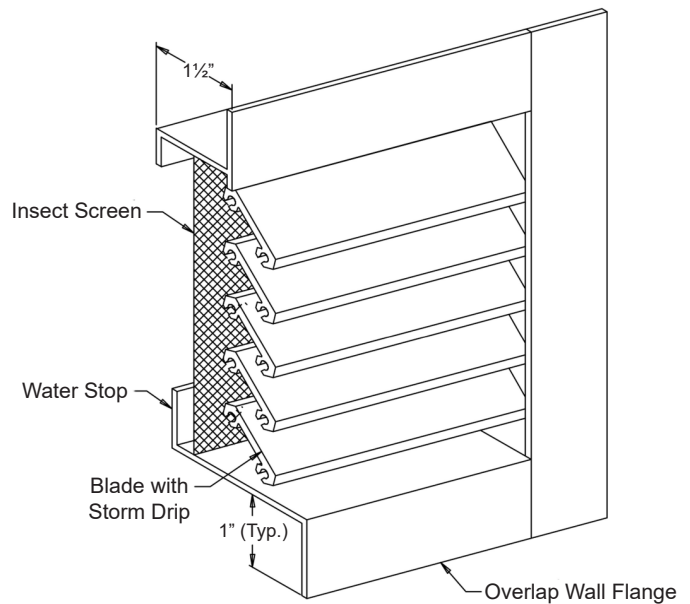
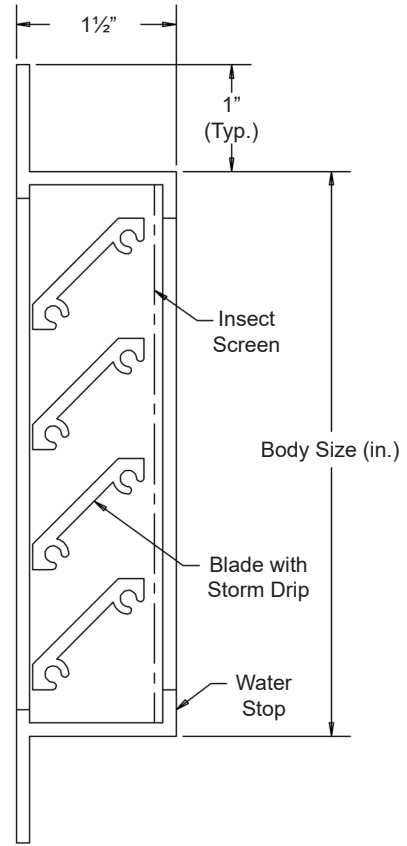
Finish - Baked Enamel, Kynar, Anodize

## NOTES

1. Nominal deductions will be made from opening dimensions given unless otherwise stated.
2. Many stock sizes are available for immediate shipment. Brick vents are also available in practically any width or height.

Stock Sizes Available		Minimum Opening Size	Free Area (Sq. In.)
Model No.	Body Size		
825	8⅞" x 2⅜"	8½" x 2⅝"	4.18
847	8⅞" x 4¾"	8½" x 5"	11.52
808	8⅞" x 7¾"	8½" x 8"	19.58
162	16½" x 2⅜"	17" x 2⅝"	8.64
164	16½" x 4¾"	17" x 5"	28.22
168	16½" x 7¾"	17" x 8"	40.32
123	12" x 2⅜"	12½" x 2⅝"	6.34
125	12" x 4¾"	12½" x 5"	17.28
244	24" x 4¾"	24½" x 5"	39.02
248	24" x 7¾"	24½" x 8"	58.75

For custom size Brick Vents, contact customer service for details.



For handwritten orders, use the schedule block on page 2.

In the interest of product development, Louvers & Dampers reserves the right to make changes without notice.

[www.louvers-dampers.com](http://www.louvers-dampers.com)

450 Riverside Drive • Wyalusing PA, 18853 • Phone 570-746-1888 • Fax 570-746-9286



# Flanged Brick Vents

Brick Vent • 1½" Deep • 45° Straight Blades • Stationary • Flange Frame • Extruded Aluminum

Item	Qty	Opening Size		Finish	Tagging	Net Each	Total
		Width ("A")	Height ("B")				